



May 16, 2022

Riverside Fire Department
3401 University Avenue
Riverside, CA 92501
Tony Perna, Battalion Chief

Chief Perna,

In response to your email dated May 04, 2022 regarding price increases for this project, the following information is provided for review.

- 2/11/22; Original offer letter and pricing submitted to Riverside
 - Total contract cost; \$392,179
- 3/9/22; price extension letter (no increase) provided at customer request due to approval delay
 - Total contract cost; \$392,179
- 4/12/22; revised offer letter provided with updated pricing at customer request due to approval delay
 - \$1,130 increase per latest body quote (plus sales tax)
 - Cost increase due to rising cost for materials
 - Total contract cost; \$393,409
- 4/22/22; revised offer letter provided with updated pricing due to approval delay
 - \$1,427 Freightliner chassis cost increase (plus sales tax)
 - \$3,800 Freightliner sur-charge (plus sales tax)
 - Cost increase due to rising cost for materials and shipping/delivery charges
 - Total revised contract cost; \$399,094
- 5/16/22; revised offer letter provided with updated pricing at customer request due to approval delay
 - \$11,068 increase per latest body quote (plus sales tax)
 - Cost increase due to rising cost for materials/shipping/delivery charges
 - \$5,000 proposal sur-charge
 - PPI/CPI documentation submitted with cost increase details (at end of this document) per request of Riverside Finance/Purchasing Division; Kristan Nordmeyer, Procurement & Contract Specialist

With these latest revisions (Quote #4), **the total purchase price for the proposed unit is now \$416,421.** As requested, this apparatus will be procured through the Sourcewell Consortium Purchase Program; contract #113021-RSD.



Quality Van & Specialty Vehicles has informed us that due to the instability in the current world market, they are not providing quotes for any projects that begin after January 2023. However, they are honoring the quote for this project and sincerely hope that we can move forward as soon as possible. They further advised, that should another delay be encountered, they may have no alternative but to rescind their proposal to Rosenbauer/Velocity which in turn would cause a cancellation of the entire project.

With the latest delay that has occurred in this procurement process, the initial production slot for the Freightliner chassis could no longer be held. If a purchase order is received before the end of June 2022, a 4th quarter production slot can be provided with chassis completion estimated in Q2 of 2023. Per the quote from the body up-fitter, their build-up will be completed within 120-240 calendar days after receipt of the Freightliner chassis. An additional sixty (60) days will be required for communications installation, emergency and scene lighting installation and lettering/stripping.

Due to the instability in the current market, the costs for this project are rising every month (in some cases weekly) and as such, I encourage the City to expedite this purchase should they choose to move forward. I'm told by our Freightliner sales rep that should the order for this chassis be made after January 1, 2023 an estimated cost increase of \$15,000 or more can be expected. He is also anticipating additional cost sur-charges for chassis that have not yet begun production, so the sooner this chassis can be ordered and begin production the better.

This revised quoted price will remain in effect until the end of business Friday June 17, 2022. If a purchase order has not been received by this date and if desired by the city, Velocity will again contact each sub-contractor and obtain updated pricing and anticipated chassis and final delivery date for your review.

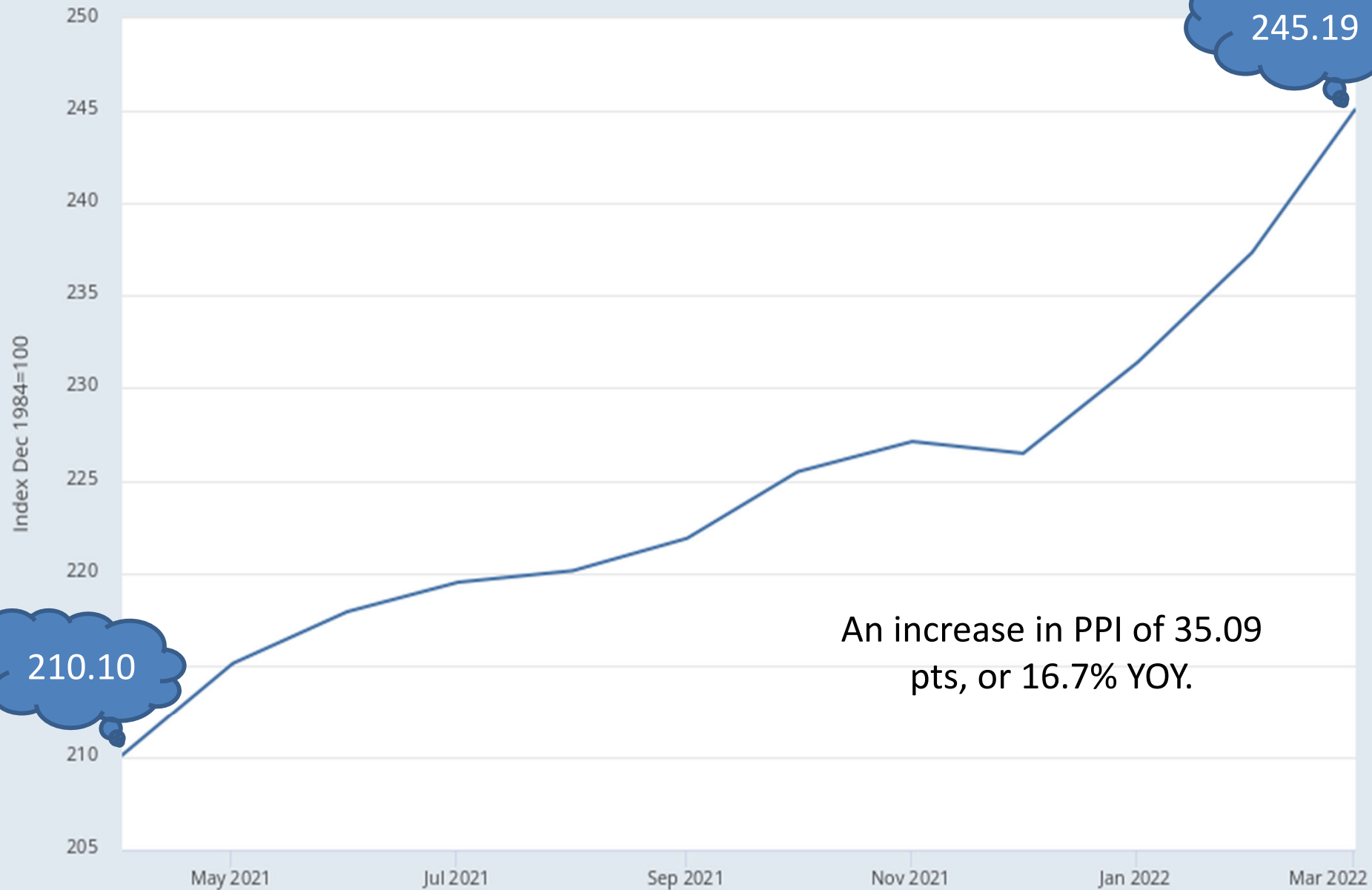
Please feel free to call on me should you have any questions regarding this proposal or any portion of the purchase process. I can be reached by phone at 951-642-1291 or email at jarocca@vvgtruck.com

Respectfully,

Joe LaRocca

Joe LaRocca; Sales Engineer

Velocity Fire Equipment/Rosenbauer America
13800 Valley Blvd. Fontana, CA 92335
951-642-1291





April 22, 2022

Riverside Fire Department
3401 University Avenue
Riverside, CA 92501
Tony Perna, Battalion Chief

Chief Perna,

This is a follow-up to my correspondence date April 12, 2022 regarding your request for a pricing extension for this project. Unfortunately, due to the current economic market and what is now being termed as “hyper-inflation” the following price increases need to be applied to this project.

- Freightliner chassis
 - Price increase for the specified chassis in the amount of \$1,427
 - Pricing surcharge \$3,800 (see letter from Daimler at the end of this document)
 - **Total increase; \$5,227**
- The body up-fitter is holding pricing at the amount specified in the April 12, 2022 letter.

With this change, **the total purchase price for the proposed unit is now \$399,093.63**. If a cost breakdown is required, let me know and I will be happy to provide one. As requested, this apparatus will be purchased through the Sourcewell Consortium Purchase Program; contract #113021-RSD.

This revised quoted price will remain in effect until the end of business Friday May 20, 2022. If a purchase order has not been received by this date, if desired Velocity will again contact each sub-contractor and obtain updated pricing and anticipated chassis and final delivery dates for your review.

Provided a purchase order is received as described above, the Freightliner chassis will be ordered with estimated delivery in Q4 2022. As was the case in our original proposal the completed vehicle will be delivered to the city within 240 calendar days after arrival of the commercial chassis at our Tolleson, AZ facility.

Please feel free to call on me should you have any questions regarding this proposal or any portion of the purchase process. I can be reached by phone at 951-642-1291 or email at jarocca@vvgtruck.com

Respectfully,

Joe LaRocca

Joe LaRocca; Sales Engineer
Velocity Fire Equipment/Rosenbauer America
13800 Valley Blvd. Fontana, CA 92335
951-642-1291





April 12, 2022

Riverside Fire Department
3401 University Avenue
Riverside, CA 92501
Tony Perna, Battalion Chief

Chief Perna,

At your request, I have contacted all vendors and sub-contractors associated with the build of the proposed Hazardous Materials Support Unit to ascertain the possibility of extending current pricing to the City.

I am pleased to inform you that as of this writing, Freightliner has implemented no price increase and the cost for the proposed commercial chassis remains unchanged. However, the body up-fitter has added an additional \$1,130 to their quote to cover increased material costs.

With this change, the total purchase price for the proposed unit is now \$393,408.63. If a cost breakdown is required, let me know and I will be happy to provide one.

This revised quoted price will remain in effect until the end of business Friday May 20, 2022. If a purchase order has not been received by this date, at your request Velocity will again contact each sub-contractor and obtain updated pricing and anticipated chassis and final delivery dates for your review.

Provided a purchase order is received as described above, the Freightliner chassis will be ordered with estimated delivery in Q4 2022. As was the case in our original proposal the completed vehicle will be delivered to the city within 240 calendar days after arrival of the commercial chassis at our Tolleson, AZ facility.

Please feel free to call on me should you have any questions regarding this proposal or any portion of the purchase process. I can be reached by phone at 951-642-1291 or email at jarocca@vgttruck.com

Respectfully,

Joe LaRocca

Joe LaRocca; Sales Engineer
Velocity Fire Equipment/Rosenbauer America
13800 Valley Blvd. Fontana, CA 92335
951-642-1291





February 11, 2022

Riverside Fire Department
3401 University Avenue
Riverside, CA 92501
Michael Moore, Fire Chief

Chief Moore,

On behalf of Velocity Fire Equipment and Rosenbauer South Dakota LLC, I am pleased to provide this proposal to the Riverside Fire Department for one (1) 2023 Freightliner Haz-Mat Support Unit.

This proposal includes the following:

- One (1) Hazardous Materials Support Unit per attached;
 - Freightliner chassis specification; Velocity Truck Center, Tolleson AZ
 - Body up-fitting specification; Quality Van & Specialty Vehicles, Tempe AZ
 - Radio and communications package; Johnson Equipment, Perris CA
 - Code 3 warning light & siren package; Johnson Equipment, Perris CA
 - Lettering, graphics and NFPA required striping; Johnson Equipment – or – Code R Graphics
- Travel for two (2) fire department representatives to the Quality Van & Specialty Vehicles facility in Arizona for a final vehicle inspection. The pre-construction meeting and mid-point inspections will be conducted via electronic “virtual” meetings
- Apparatus delivery to the Riverside Fire Department after final acceptance is completed
- Sourcewell Cooperative Purchase Program fees
- California sales tax at 8.75%

Delivery:

The proposed apparatus shall be completed and delivered within 240 calendar days after delivery of the commercial chassis to Quality Van & Specialty Vehicles.

Contract Amount:

- \$392,179.75

This offer shall remain valid for 45 days, or end of business Friday, March 25, 2022.



Cooperative Purchase Program:

It is our understanding that the City desires to procure this vehicle through the Sourcewell Cooperative Procurement Program. Rosenbauer South Dakota, LLC participates in the Sourcewell program and agrees to this purchase through the program as desired by the City.

Please ensure that the City's Sourcewell membership I.D. number is included on the purchase order for this project.

The purchase order shall be made out to;
Rosenbauer South Dakota, LLC.
100 Third Street
Lyons, South Dakota 57041

The purchase order shall be sent to;
Velocity Fire Equipment
1978 Atherton Circle
Corona, California 92879

Payment:

Upon receipt of invoice by the City, payment of one-hundred percent (100%) of the final contract amount shall be paid within thirty (30) calendar days of final acceptance of the apparatus by the Fire Department.

Local Contact:

Joe LaRocca, Southern California Sales Engineer
(951) 642-1291
jarocca@vvgtruck.com

Please feel free to call on me should you have any questions regarding this proposal or any portion of the purchase process. I can be reached by phone at 951-642-1291 or email at jarocca@vvgtruck.com

Respectfully,

Joe LaRocca

Joe LaRocca; Sales Engineer
Velocity Fire Equipment/Rosenbauer America
13800 Valley Blvd.
Fontana, CA 92335
951-642-1291

Prepared for:
Lloyd Radmall
STOCK TOLLESON AZ DKXD
9899 W ROOSEVELT ST
TOLLESON, AZ 85353
Phone: 623-907-6619

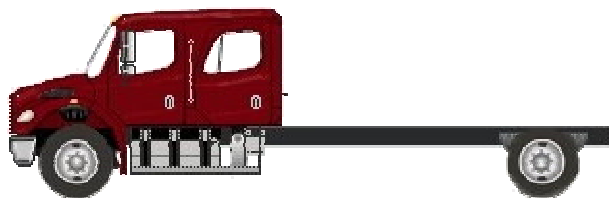
Prepared by:
Lloyd Radmall
FREIGHTLINER OF ARIZONA
9899 W ROOSEVELT STREET
TOLLESON, AZ 85353
Phone: 623-907-6619

A proposal for
STOCK TOLLESON AZ DKXD

Prepared by
FREIGHTLINER OF ARIZONA
Lloyd Radmall

Feb 11, 2022

Freightliner M2 106



Components shown may not reflect all spec'd options and are not to scale



Prepared for:
 Lloyd Radmall
 STOCK TOLLESON AZ DKXD
 9899 W ROOSEVELT ST
 TOLLESON, AZ 85353
 Phone: 623-907-6619

Prepared by:
 Lloyd Radmall
 FREIGHTLINER OF ARIZONA
 9899 W ROOSEVELT STREET
 TOLLESON, AZ 85353
 Phone: 623-907-6619

S P E C I F I C A T I O N P R O P O S A L

Data Code	Description	Weight Front	Weight Rear
Price Level			
PRL-26M	M2 PRL-26M (EFF:7/26/21)		
Data Version			
DRL-035	SPECPRO21 DATA RELEASE VER 035		
Vehicle Configuration			
001-172	M2 106 CONVENTIONAL CHASSIS	5,709	3,503
004-223	2023 MODEL YEAR SPECIFIED		
002-004	SET BACK AXLE - TRUCK		
019-002	STRAIGHT TRUCK PROVISION		
003-001	LH PRIMARY STEERING LOCATION		
General Service			
AA1-002	TRUCK CONFIGURATION		
AA6-001	DOMICILED, USA 50 STATES (INCLUDING CALIFORNIA AND CARB OPT-IN STATES)		
A85-020	FIRE SERVICE		
A84-1EV	EMERGENCY VEHICLES BUSINESS SEGMENT		
AA4-011	FIXED LOAD COMMODITY		
AA5-002	TERRAIN/DUTY: 100% (ALL) OF THE TIME, IN TRANSIT, IS SPENT ON PAVED ROADS		
AB1-008	MAXIMUM 8% EXPECTED GRADE		
AB5-001	SMOOTH CONCRETE OR ASPHALT PAVEMENT - MOST SEVERE IN-TRANSIT (BETWEEN SITES) ROAD SURFACE		
995-091	MEDIUM TRUCK WARRANTY		
A66-99D	EXPECTED FRONT AXLE(S) LOAD : 12000.0 lbs		
A68-99D	EXPECTED REAR DRIVE AXLE(S) LOAD : 23000.0 lbs		
A63-99D	EXPECTED GROSS VEHICLE WEIGHT CAPACITY : 35000.0 lbs		
Truck Service			
AA3-006	UTILITY BODY		
AF3-1A2	MORGAN BODY COMPANY		



Prepared for:
 Lloyd Radmall
 STOCK TOLLESON AZ DKXD
 9899 W ROOSEVELT ST
 TOLLESON, AZ 85353
 Phone: 623-907-6619

Prepared by:
 Lloyd Radmall
 FREIGHTLINER OF ARIZONA
 9899 W ROOSEVELT STREET
 TOLLESON, AZ 85353
 Phone: 623-907-6619

Data Code	Description	Weight Front	Weight Rear
AF7-99D	EXPECTED BODY/PAYLOAD CG HEIGHT ABOVE FRAME "XX" INCHES : 32.0 in		

Engine

101-3B0	CUM L9 360EV HP @ 2200 RPM, 2200 GOV RPM, 1150 LB-FT @ 1200 RPM, R/F/E	640	30
---------	--	-----	----

Electronic Parameters

79A-070	70 MPH ROAD SPEED LIMIT		
79B-000	CRUISE CONTROL SPEED LIMIT SAME AS ROAD SPEED LIMIT		
79K-005	PTO MODE ENGINE RPM LIMIT - 900 RPM		
79M-001	PTO MODE BRAKE OVERRIDE - SERVICE BRAKE APPLIED		
79P-004	PTO RPM WITH CRUISE SET SWITCH - 900 RPM		
79Q-004	PTO RPM WITH CRUISE RESUME SWITCH - 900 RPM		
79S-001	PTO MODE CANCEL VEHICLE SPEED - 5 MPH		
79U-007	PTO GOVERNOR RAMP RATE - 250 RPM PER SECOND		
80E-001	ENGINE FAN ENABLED WITH RETARDER		
80G-002	PTO MINIMUM RPM - 700		
80J-002	REGEN INHIBIT SPEED THRESHOLD - 5 MPH		
80S-998	NO PTO 1 CONTROLS		
80T-998	NO PTO 2 CONTROLS		
80U-998	NO PTO 3 CONTROLS		

Engine Equipment

99C-021	2010 EPA/CARB/GHG21 CONFIGURATION		
99D-011	2008 CARB EMISSION CERTIFICATION - CLEAN IDLE (INCLUDES 6X4 INCH LABEL ON LOWER FORWARD CORNER OF DRIVER DOOR)		
13E-001	STANDARD OIL PAN		
105-001	ENGINE MOUNTED OIL CHECK AND FILL		
014-1BX	SIDE OF HOOD AIR INTAKE WITH NFPA COMPLIANT EMBER SCREEN AND FIRE RETARDANT DONALDSON AIR CLEANER		
124-1E7	DR 12V 275 AMP 40-SI BRUSHLESS PAD ALTERNATOR WITH REMOTE BATTERY VOLTAGE SENSE	10	
292-222	(3) DTNA GENUINE, HIGH TEMP AGM STARTING AND CYCLING, MIN 2775CCA, 570RC, THREADED STUD BATTERIES	55	20
290-017	BATTERY BOX FRAME MOUNTED		
281-001	STANDARD BATTERY JUMPERS		



Prepared for:
 Lloyd Radmall
 STOCK TOLLESON AZ DKXD
 9899 W ROOSEVELT ST
 TOLLESON, AZ 85353
 Phone: 623-907-6619

Prepared by:
 Lloyd Radmall
 FREIGHTLINER OF ARIZONA
 9899 W ROOSEVELT STREET
 TOLLESON, AZ 85353
 Phone: 623-907-6619

Data Code	Description	Weight Front	Weight Rear
282-003	SINGLE BATTERY BOX FRAME MOUNTED LH SIDE BACK OF CAB		
291-017	WIRE GROUND RETURN FOR BATTERY CABLES WITH ADDITIONAL FRAME GROUND RETURN		
289-001	NON-POLISHED BATTERY BOX COVER		
293-058	POSITIVE LOAD DISCONNECT WITH CAB MOUNTED CONTROL SWITCH MOUNTED OUTBOARD DRIVER SEAT	10	
295-029	POSITIVE AND NEGATIVE POSTS FOR JUMPSTART LOCATED ON FRAME NEXT TO STARTER	2	
107-032	CUMMINS TURBOCHARGED 18.7 CFM AIR COMPRESSOR WITH INTERNAL SAFETY VALVE		
108-002	STANDARD MECHANICAL AIR COMPRESSOR GOVERNOR		
131-013	AIR COMPRESSOR DISCHARGE LINE		
152-039	GVG, FIRE AND EMERGENCY SERVICE VEHICLES ENGINE WARNING		
128-1AN	C-BRAKE BY JACOBS WITH HIGH MED LOW BRAKE WITH BRAKE LAMPS	80	
016-1DC	RH OUTBOARD UNDER STEP MOUNTED HORIZONTAL AFTERTREATMENT SYSTEM ASSEMBLY WITH RH HORIZONTAL TAILPIPE EXITING FORWARD OF REAR TIRES	10	5
28F-007	ENGINE AFTERTREATMENT DEVICE, AUTOMATIC OVER THE ROAD ACTIVE REGENERATION AND DASH MOUNTED SINGLE REGENERATION REQUEST/INHIBIT SWITCH		
239-001	STANDARD EXHAUST SYSTEM LENGTH		
237-022	RH HORIZONTAL TAILPIPE, EXIT FORWARD OF REAR TIRES	20	20
23U-001	6 GALLON DIESEL EXHAUST FLUID TANK		
30N-003	100 PERCENT DIESEL EXHAUST FLUID FILL		
43X-002	LH MEDIUM DUTY STANDARD DIESEL EXHAUST FLUID TANK LOCATION		
23Y-001	STANDARD DIESEL EXHAUST FLUID PUMP MOUNTING		
43Y-001	STANDARD DIESEL EXHAUST FLUID TANK CAP		
273-018	HORTON DRIVEMASTER ADVANTAGE ON/OFF FAN DRIVE		
276-002	AUTOMATIC FAN CONTROL WITH DASH SWITCH AND INDICATOR LIGHT, NON ENGINE MOUNTED		
110-003	CUMMINS SPIN ON FUEL FILTER		
118-008	COMBINATION FULL FLOW/BYPASS OIL FILTER		



Prepared for:
 Lloyd Radmall
 STOCK TOLLESON AZ DKXD
 9899 W ROOSEVELT ST
 TOLLESON, AZ 85353
 Phone: 623-907-6619

Prepared by:
 Lloyd Radmall
 FREIGHTLINER OF ARIZONA
 9899 W ROOSEVELT STREET
 TOLLESON, AZ 85353
 Phone: 623-907-6619

Data Code	Description	Weight Front	Weight Rear
266-013	1100 SQUARE INCH ALUMINUM RADIATOR	70	
103-039	ANTIFREEZE TO -34F, OAT (NITRITE AND SILICATE FREE) EXTENDED LIFE COOLANT		
171-007	GATES BLUE STRIPE COOLANT HOSES OR EQUIVALENT		
172-001	CONSTANT TENSION HOSE CLAMPS FOR COOLANT HOSES		
270-016	RADIATOR DRAIN VALVE		
168-002	LOWER RADIATOR GUARD		
138-011	PHILLIPS-TEMRO 1000 WATT/115 VOLT BLOCK HEATER	4	
140-038	CHROME ENGINE HEATER RECEPTACLE MOUNTED UNDER LH DOOR WITH CURRENT SENSOR LIGHT		
134-001	ALUMINUM FLYWHEEL HOUSING		
132-004	ELECTRIC GRID AIR INTAKE WARMER		
155-055	DELCO 12V 39MT HD/OCP STARTER WITH THERMAL PROTECTION AND INTEGRATED MAGNETIC SWITCH	15	

Transmission

342-1KD	ALLISON 3000 EVS AUTOMATIC TRANSMISSION WITH PTO PROVISION	200	60
---------	--	-----	----

Transmission Equipment

343-331	ALLISON VOCATIONAL PACKAGE 198 - AVAILABLE ON 3000/4000 PRODUCT FAMILIES WITH VOCATIONAL MODEL EVS
84B-003	ALLISON VOCATIONAL RATING FOR FIRE TRUCK/EMERGENCY VEHICLE APPLICATIONS AVAILABLE WITH ALL PRODUCT FAMILIES
84C-023	PRIMARY MODE GEARS, LOWEST GEAR 1, START GEAR 1, HIGHEST GEAR 6, AVAILABLE FOR 3000/4000 PRODUCT FAMILIES ONLY
84D-028	SECONDARY MODE GEARS, LOWEST GEAR 1, START GEAR 2, HIGHEST GEAR 6, AVAILABLE FOR 3000/4000 PRODUCT FAMILIES ONLY
84E-000	PRIMARY SHIFT SCHEDULE RECOMMENDED BY DTNA AND ALLISON, THIS DEFINED BY ENGINE AND VOCATIONAL USAGE
84F-000	SECONDARY SHIFT SCHEDULE RECOMMENDED BY DTNA AND ALLISON, THIS DEFINED BY ENGINE AND VOCATIONAL USAGE
84G-000	PRIMARY SHIFT SPEED RECOMMENDED BY DTNA AND ALLISON, THIS DEFINED BY ENGINE AND VOCATIONAL USAGE



Prepared for:
 Lloyd Radmall
 STOCK TOLLESON AZ DKXD
 9899 W ROOSEVELT ST
 TOLLESON, AZ 85353
 Phone: 623-907-6619

Prepared by:
 Lloyd Radmall
 FREIGHTLINER OF ARIZONA
 9899 W ROOSEVELT STREET
 TOLLESON, AZ 85353
 Phone: 623-907-6619

Data Code	Description	Weight Front	Weight Rear
84H-000	SECONDARY SHIFT SPEED RECOMMENDED BY DTNA AND ALLISON, THIS DEFINED BY ENGINE AND VOCATIONAL USAGE		
84J-000	ENGINE BRAKE RANGE PRESELECT RECOMMENDED BY DTNA AND ALLISON, THIS DEFINED BY ENGINE AND VOCATIONAL USAGE		
84K-000	ENGINE BRAKE RANGE ALTERNATE PRESELECT RECOMMENDED BY DTNA AND ALLISON, THIS DEFINED BY ENGINE AND VOCATIONAL USAGE		
84N-200	FUEL SENSE 2.0 DISABLED - PERFORMANCE - TABLE BASED		
84U-000	DRIVER SWITCH INPUT - DEFAULT - NO SWITCHES		
85P-998	NO REAR PTO TRANSMISSION RANGE		
353-022	VEHICLE INTERFACE WIRING CONNECTOR WITHOUT BLUNT CUTS, AT BACK OF CAB		
34C-001	ELECTRONIC TRANSMISSION CUSTOMER ACCESS CONNECTOR FIREWALL MOUNTED		
362-1Y2	(2) CUSTOMER INSTALLED MUNCIE CS10 SERIES PTO'S		
363-010	PTO MOUNTING, LH SIDE AND TOP RH SIDE OF MAIN TRANSMISSION ALLISON		
341-018	MAGNETIC PLUGS, ENGINE DRAIN, TRANSMISSION DRAIN, AXLE(S) FILL AND DRAIN		
345-079	PUSH BUTTON ELECTRONIC SHIFT CONTROL DASH MOUNTED IN RG PANEL WITH NO SWITCHES OR GAUGES MOUNTED ABOVE SHIFTER		
97G-004	TRANSMISSION PROGNOSTICS - ENABLED 2013		
370-015	WATER TO OIL TRANSMISSION COOLER, IN RADIATOR END TANK		
346-003	TRANSMISSION OIL CHECK AND FILL WITH ELECTRONIC OIL LEVEL CHECK		
35T-001	SYNTHETIC TRANSMISSION FLUID (TES-295 COMPLIANT)		

Front Axle and Equipment

400-1A6	DETROIT DA-F-12.0-3 12,000# FF1 71.5 KPI/3.74 DROP SINGLE FRONT AXLE
402-050	MERITOR 16.5X5 Q+ CAST SPIDER HEAVY DUTY CAM FRONT BRAKES, DOUBLE ANCHOR, FABRICATED SHOES
403-026	FIRE AND EMERGENCY SEVERE SERVICE, NON-ASBESTOS FRONT LINING
419-001	CAST IRON OUTBOARD FRONT BRAKE DRUMS



Prepared for:
 Lloyd Radmall
 STOCK TOLLESON AZ DKXD
 9899 W ROOSEVELT ST
 TOLLESON, AZ 85353
 Phone: 623-907-6619

Prepared by:
 Lloyd Radmall
 FREIGHTLINER OF ARIZONA
 9899 W ROOSEVELT STREET
 TOLLESON, AZ 85353
 Phone: 623-907-6619

Data Code	Description	Weight Front	Weight Rear
427-001	FRONT BRAKE DUST SHIELDS	5	
409-006	FRONT OIL SEALS		
408-001	VENTED FRONT HUB CAPS WITH WINDOW, CENTER AND SIDE PLUGS - OIL		
416-022	STANDARD SPINDLE NUTS FOR ALL AXLES		
405-031	HALDEX AUTOMATIC FRONT SLACK ADJUSTERS WITH STAINLESS STEEL CLEVIS PINS		
536-050	TRW THP-60 POWER STEERING		
539-003	POWER STEERING PUMP		
534-015	2 QUART SEE THROUGH POWER STEERING RESERVOIR		
40T-002	CURRENT AVAILABLE SYNTHETIC 75W-90 FRONT AXLE LUBE		

Front Suspension

620-1F0	12,000# DUAL TAPERLEAF FRONT SUSPENSION	42	
619-005	MAINTENANCE FREE RUBBER BUSHINGS - FRONT SUSPENSION		
410-001	FRONT SHOCK ABSORBERS		

Rear Axle and Equipment

420-1KU	RS-23-161 24,000# R-SERIES QUIET RIDE FIRE/EMERGENCY SERVICE SINGLE REAR AXLE		175
421-513	5.13 REAR AXLE RATIO		
424-001	IRON REAR AXLE CARRIER WITH STANDARD AXLE HOUSING		
386-046	SPL140HD DANA SPICER MAIN DRIVELINE WITH HALF ROUND YOKES	45	45
452-001	DRIVER CONTROLLED TRACTION DIFFERENTIAL - SINGLE REAR AXLE		20
878-018	(1) DRIVER CONTROLLED DIFFERENTIAL LOCK REAR VALVE FOR SINGLE DRIVE AXLE		
87B-004	BLINKING LAMP WITH EACH MODE SWITCH, DIFFERENTIAL UNLOCK WITH IGNITION OFF, ACTIVE <5 MPH		
423-033	MERITOR 16.5X7 Q+ CAST SPIDER HEAVY DUTY CAM REAR BRAKES, DOUBLE ANCHOR, FABRICATED SHOES		
433-025	FIRE AND EMERGENCY SEVERE SERVICE NON-ASBESTOS REAR BRAKE LINING		
434-005	BRAKE CAMS AND CHAMBERS ON FORWARD SIDE OF DRIVE AXLE(S) WITH AUXILIARY SUPPORT BRACKETS		
451-001	CAST IRON OUTBOARD REAR BRAKE DRUMS		



Prepared for:
 Lloyd Radmall
 STOCK TOLLESON AZ DKXD
 9899 W ROOSEVELT ST
 TOLLESON, AZ 85353
 Phone: 623-907-6619

Prepared by:
 Lloyd Radmall
 FREIGHTLINER OF ARIZONA
 9899 W ROOSEVELT STREET
 TOLLESON, AZ 85353
 Phone: 623-907-6619

Data Code	Description	Weight Front	Weight Rear
425-002	REAR BRAKE DUST SHIELDS		5
440-006	REAR OIL SEALS		
426-074	HALDEX GOLDSEAL LONGSTROKE 1-DRIVE AXLE SPRING PARKING CHAMBERS		
428-031	HALDEX AUTOMATIC REAR SLACK ADJUSTERS WITH STAINLESS STEEL CLEVIS PINS		
41T-002	CURRENT AVAILABLE SYNTHETIC 75W-90 REAR AXLE LUBE		

Rear Suspension

622-216	AIRLINER 23,000# REAR SUSPENSION WITH CHAIN CLEARANCE		180
621-007	AIRLINER HIGH POSITION RIDE HEIGHT		
431-001	STANDARD AXLE SEATS IN AXLE CLAMP GROUP		
888-048	MANUAL DUMP VALVE FOR AIR SUSPENSION WITH GAUGE		
87D-006	INDICATOR LIGHT FOR EACH REAR SUSPENSION CONTROL SWITCH		
910-004	DUAL AIR REAR SUSPENSION LEVELING VALVES		
623-002	TRANSVERSE CONTROL RODS		
439-004	REAR SHOCK ABSORBERS - ONE AXLE (AIR RIDE SUSPENSION)		

Brake System

018-002	AIR BRAKE PACKAGE		
490-121	WABCO 4S/4M ABS WITH TRACTION CONTROL		
871-001	REINFORCED NYLON, FABRIC BRAID AND WIRE BRAID CHASSIS AIR LINES		
904-001	FIBER BRAID PARKING BRAKE HOSE		
412-001	STANDARD BRAKE SYSTEM VALVES		
46D-002	STANDARD AIR SYSTEM PRESSURE PROTECTION SYSTEM		
413-002	STD U.S. FRONT BRAKE VALVE		
432-003	RELAY VALVE WITH 5-8 PSI CRACK PRESSURE, NO REAR PROPORTIONING VALVE		
480-009	BW AD-9 BRAKE LINE AIR DRYER WITH HEATER	20	
479-012	AIR DRYER MOUNTED UNDER HOOD		
460-008	STEEL AIR BRAKE RESERVOIRS MOUNTED INSIDE RAIL		
607-001	CLEAR FRAME RAILS FROM BACK OF CAB TO FRONT REAR SUSPENSION BRACKET, BOTH RAILS OUTBOARD		



Prepared for:
 Lloyd Radmall
 STOCK TOLLESON AZ DKXD
 9899 W ROOSEVELT ST
 TOLLESON, AZ 85353
 Phone: 623-907-6619

Prepared by:
 Lloyd Radmall
 FREIGHTLINER OF ARIZONA
 9899 W ROOSEVELT STREET
 TOLLESON, AZ 85353
 Phone: 623-907-6619

Data Code	Description	Weight Front	Weight Rear
477-006	BW DV-2 AUTO DRAIN VALVE WITHOUT HEATER ON ALL TANK(S)		
485-003	QUICK DISCONNECT FITTING WITH TIRE INFLATION KIT	2	

Trailer Connections

335-004	UPGRADED CHASSIS MULTIPLEXING UNIT
32A-002	UPGRADED BULKHEAD MULTIPLEXING UNIT

Wheelbase & Frame

545-640	6400MM (252 INCH) WHEELBASE		
546-101	11/32X3-1/2X10-15/16 INCH STEEL FRAME (8.73MMX277.8MM/0.344X10.94 INCH) 120KSI	390	150
552-063	2550MM (100 INCH) REAR FRAME OVERHANG		
55W-009	FRAME OVERHANG RANGE: 91 INCH TO 100 INCH	-40	180
AC8-99D	CALC'D BACK OF CAB TO REAR SUSP C/L (CA) : 139.17 in		
AE8-99D	CALCULATED EFFECTIVE BACK OF CAB TO REAR SUSPENSION C/L (CA) : 136.17 in		
AE4-99D	CALC'D FRAME LENGTH - OVERALL : 381.76 in		
FSS-0LH	CALCULATED FRAME SPACE LH SIDE : 111.13 in		
FSS-0RH	CALCULATED FRAME SPACE RH SIDE : 87.13 in		
553-001	SQUARE END OF FRAME		
550-001	FRONT CLOSING CROSSMEMBER		
559-001	STANDARD WEIGHT ENGINE CROSSMEMBER		
561-001	STANDARD CROSSMEMBER BACK OF TRANSMISSION		
562-001	STANDARD MIDSHIP #1 CROSSMEMBER(S)		
572-001	STANDARD REAR MOST CROSSMEMBER		
565-002	HEAVY DUTY SUSPENSION CROSSMEMBER		30

Chassis Equipment

556-1AR	THREE-PIECE 14 INCH CHROMED STEEL BUMPER WITH COLLAPSIBLE ENDS	30	
558-001	FRONT TOW HOOKS - FRAME MOUNTED	15	
574-001	BUMPER MOUNTING FOR SINGLE LICENSE PLATE		
586-024	FENDER AND FRONT OF HOOD MOUNTED FRONT MUDFLAPS		
551-007	GRADE 8 THREADED HEX HEADED FRAME FASTENERS		

Fuel Tanks



Prepared for:
 Lloyd Radmall
 STOCK TOLLESON AZ DKXD
 9899 W ROOSEVELT ST
 TOLLESON, AZ 85353
 Phone: 623-907-6619

Prepared by:
 Lloyd Radmall
 FREIGHTLINER OF ARIZONA
 9899 W ROOSEVELT STREET
 TOLLESON, AZ 85353
 Phone: 623-907-6619

Data Code	Description	Weight Front	Weight Rear
204-034	80 GALLON/302 LITER RECTANGULAR ALUMINUM FUEL TANK - LH	40	10
218-005	RECTANGULAR FUEL TANK(S)		
215-022	POLISHING OF FUEL/HYDRAULIC TANK(S) WITH PAINTED ZINC-PLATED STEEL BANDS		
212-007	FUEL TANK(S) FORWARD		
664-003	BLACK STEP FINISH		
205-001	FUEL TANK CAP(S)		
122-1J1	DETROIT FUEL/WATER SEPARATOR WITH WATER IN FUEL SENSOR, HAND PRIMER AND 12 VOLT PREHEATER"	-5	
216-020	EQUIFLO INBOARD FUEL SYSTEM		
202-016	HIGH TEMPERATURE REINFORCED NYLON FUEL LINE		
213-001	INSULATION FOR FUEL LINES	2	
Tires			
093-1G7	MICHELIN XZE2 275/80R22.5 14 PLY RADIAL FRONT TIRES	2	
094-0GU	MICHELIN XDN2 275/80R22.5 14 PLY RADIAL REAR TIRES		44
Hubs			
418-060	CONMET PRESET PLUS PREMIUM IRON FRONT HUBS		
450-060	CONMET PRESET PLUS PREMIUM IRON REAR HUBS		
Wheels			
502-693	ALCOA LVL ONE 88267X 22.5X8.25 10-HUB PILOT 5.80 INSET ALUMINUM DISC FRONT WHEELS	-56	
505-693	ALCOA LVL ONE 88267X 22.5X8.25 10-HUB PILOT ALUMINUM DISC REAR WHEELS		-112
524-001	POLISHED FRONT WHEELS; OUTSIDE ONLY		
525-001	POLISHED REAR WHEELS; OUTSIDE OF OUTER WHEELS ONLY		
496-011	FRONT WHEEL MOUNTING NUTS		
497-011	REAR WHEEL MOUNTING NUTS		
495-998	NO PUSHER/TAG WHEEL MOUNTING NUTS		
498-019	ALLIGATOR/V2B DUAL SEAL INFLATOR CAPS, FRONT AND REAR		
Cab Exterior			
829-079	154 INCH BBC HIGH-ROOF ALUMINUM CONVENTIONAL CREW CAB	430	250



Prepared for:
 Lloyd Radmall
 STOCK TOLLESON AZ DKXD
 9899 W ROOSEVELT ST
 TOLLESON, AZ 85353
 Phone: 623-907-6619

Prepared by:
 Lloyd Radmall
 FREIGHTLINER OF ARIZONA
 9899 W ROOSEVELT STREET
 TOLLESON, AZ 85353
 Phone: 623-907-6619

Data Code	Description	Weight Front	Weight Rear
650-008	AIR CAB MOUNTING		
705-012	CAB ROOF REINFORCEMENTS FOR ROOF MOUNTED COMPONENTS	2	
648-002	NONREMOVABLE BUGSCREEN MOUNTED BEHIND GRILLE		
678-018	LH AND RH EXTERIOR GRAB HANDLES WITH SINGLE RUBBER INSERT		
646-023	HOOD MOUNTED CHROMED PLASTIC GRILLE		
65X-003	CHROME HOOD MOUNTED AIR INTAKE GRILLE		
644-004	FIBERGLASS HOOD		
690-016	CAB FLOOR, TOE BOARD AND FIREWALL HEAT SHIELD	5	
727-1B1	DUAL 25 INCH ROUND STUTTER TONE HOOD MOUNTED AIR HORNS WITH DUAL LANYARDS	8	
726-002	DUAL ELECTRIC HORNS		
728-002	DUAL HORN SHIELDS		
657-001	DOOR LOCKS AND IGNITION SWITCH KEYED THE SAME		
78G-004	KEY QUANTITY OF 4		
575-001	REAR LICENSE PLATE MOUNT END OF FRAME		
312-088	LED HEADLIGHT ASSEMBLY AND INCANDESCENT MARKER/TURN LAMP WITH CHROME BEZEL		
302-047	LED AERODYNAMIC MARKER LIGHTS		
311-001	DAYTIME RUNNING LIGHTS		
294-017	INTEGRAL STOP/TAIL/BACKUP LIGHTS WITH 7 EXTRA FEET OF WIRE MOUNTED AT END OF FRAME		
300-015	STANDARD FRONT TURN SIGNAL LAMPS		
744-1BC	DUAL WEST COAST BRIGHT FINISH HEATED MIRRORS WITH LH AND RH REMOTE		
797-001	DOOR MOUNTED MIRRORS		
796-001	102 INCH EQUIPMENT WIDTH		
743-204	LH AND RH 8 INCH BRIGHT FINISH CONVEX MIRRORS MOUNTED UNDER PRIMARY MIRRORS		
74A-001	RH DOWN VIEW MIRROR		
729-001	STANDARD SIDE/REAR REFLECTORS		
677-079	RH AFTERTREATMENT SYSTEM CAB ACCESS WITH BLACK COVER		
768-043	63X14 INCH TINTED REAR WINDOW		
661-003	TINTED DOOR GLASS LH AND RH WITH TINTED NON-OPERATING WING WINDOWS		



Prepared for:
 Lloyd Radmall
 STOCK TOLLESON AZ DKXD
 9899 W ROOSEVELT ST
 TOLLESON, AZ 85353
 Phone: 623-907-6619

Prepared by:
 Lloyd Radmall
 FREIGHTLINER OF ARIZONA
 9899 W ROOSEVELT STREET
 TOLLESON, AZ 85353
 Phone: 623-907-6619

Data Code	Description	Weight Front	Weight Rear
654-027	RH AND LH ELECTRIC POWERED WINDOWS, PASSENGER SWITCHES ON DOOR(S)	4	4
663-013	1-PIECE SOLAR GREEN GLASS WINDSHIELD		
659-019	2 GALLON WINDSHIELD WASHER RESERVOIR WITHOUT FLUID LEVEL INDICATOR, FRAME MOUNTED		
Cab Interior			
707-1AK	OPAL GRAY VINYL INTERIOR		
706-013	MOLDED PLASTIC DOOR PANEL		
708-013	MOLDED PLASTIC DOOR PANEL		
772-006	BLACK MATS WITH SINGLE INSULATION		
691-008	FORWARD ROOF MOUNTED CONSOLE WITH UPPER STORAGE COMPARTMENTS WITHOUT NETTING		
694-010	IN DASH STORAGE BIN		
742-007	(2) CUP HOLDERS LH AND RH DASH		
680-006	GRAY/CHARCOAL FLAT DASH		
860-004	SMART SWITCH EXPANSION MODULE		
720-003	5 LB. FIRE EXTINGUISHER	10	
700-002	HEATER, DEFROSTER AND AIR CONDITIONER		
701-001	STANDARD HVAC DUCTING		
703-005	MAIN HVAC CONTROLS WITH RECIRCULATION SWITCH		
689-092	PDI INSTALLED SPORTCHASSIS CAB COMFORT SYSTEM		
170-015	STANDARD HEATER PLUMBING		
130-041	VALEO HEAVY DUTY A/C REFRIGERANT COMPRESSOR		
702-002	BINARY CONTROL, R-134A		
739-034	PREMIUM INSULATION		
285-013	SOLID-STATE CIRCUIT PROTECTION AND FUSES		
280-007	12V NEGATIVE GROUND ELECTRICAL SYSTEM		
324-047	DOOR ACTIVATED DOME/RED MAP LIGHTS, FORWARD LH AND RH AND REAR LH, RH AND CENTER		
655-005	LH AND RH ELECTRIC DOOR LOCKS		
284-101	(1) 12V POWER SUPPLY (1) DUAL 2.1 AMP USB CHARGER IN DASH		
722-028	TRIANGULAR REFLECTORS KIT WITHOUT FLARES SHIPPED LOOSE IN CAB	10	



Prepared for:
 Lloyd Radmall
 STOCK TOLLESON AZ DKXD
 9899 W ROOSEVELT ST
 TOLLESON, AZ 85353
 Phone: 623-907-6619

Prepared by:
 Lloyd Radmall
 FREIGHTLINER OF ARIZONA
 9899 W ROOSEVELT STREET
 TOLLESON, AZ 85353
 Phone: 623-907-6619

Data Code	Description	Weight Front	Weight Rear
756-339	PREMIUM ISRINGHAUSEN HIGH BACK AIR SUSPENSION DRIVERS SEAT WITH 2 AIR LUMBAR, INTEGRATED CUSHION EXTENSION, TILT AND ADJUSTABLE SHOCK	70	
760-339	PREMIUM ISRINGHAUSEN HIGH BACK AIR SUSPENSION PASSENGER SEAT WITH 2 AIR LUMBAR, INTEGRATED CUSHION EXTENSION, TILT AND ADJUSTABLE SHOCK	60	20
762-001	FULL WIDTH REAR BENCH SEAT	60	20
759-002	INBOARD DRIVER AND PASSENGER SEAT ARMRESTS	4	
711-004	LH AND RH INTEGRAL DOOR PANEL ARMRESTS		
758-014	BLACK CORDURA PLUS CLOTH DRIVER SEAT COVER		
761-014	BLACK CORDURA PLUS CLOTH PASSENGER SEAT COVER		
755-014	BLACK CORDURA PLUS CLOTH REAR PASSENGER SEAT COVER		
763-104	HIGH VISIBILITY ORANGE SEAT BELTS WITH DRIVER INDICATOR LIGHT AND AUDIBLE ALARM		
532-002	ADJUSTABLE TILT AND TELESCOPING STEERING COLUMN	10	
540-015	4-SPOKE 18 INCH (450MM) STEERING WHEEL		
765-002	DRIVER AND PASSENGER INTERIOR SUN VISORS		

Instruments & Controls

4CH-998	NO TEM INTFC, SW PKG, MUX, LWR DASH		
732-004	GRAY DRIVER INSTRUMENT PANEL		
734-004	GRAY CENTER INSTRUMENT PANEL		
870-001	BLACK GAUGE BEZELS		
486-001	LOW AIR PRESSURE INDICATOR LIGHT AND AUDIBLE ALARM		
840-002	2 INCH PRIMARY AND SECONDARY AIR PRESSURE GAUGES		
198-006	ENGINE COMPARTMENT MOUNTED AIR RESTRICTION INDICATOR WITH GRADUATIONS, WITH WARNING LIGHT IN DASH		
721-003	1040 87 DECIBELS TO 112 DECIBELS AUTOMATIC SELF-ADJUSTING BACKUP ALARM		3
149-013	ELECTRONIC CRUISE CONTROL WITH SWITCHES IN LH SWITCH PANEL		
156-007	KEY OPERATED IGNITION SWITCH AND INTEGRAL START POSITION; 4 POSITION OFF/RUN/START/ACCESSORY		



Prepared for:
 Lloyd Radmall
 STOCK TOLLESON AZ DKXD
 9899 W ROOSEVELT ST
 TOLLESON, AZ 85353
 Phone: 623-907-6619

Prepared by:
 Lloyd Radmall
 FREIGHTLINER OF ARIZONA
 9899 W ROOSEVELT STREET
 TOLLESON, AZ 85353
 Phone: 623-907-6619

Data Code	Description	Weight Front	Weight Rear
811-042	ICU3S, 132X48 DISPLAY WITH DIAGNOSTICS, 28 LED WARNING LAMPS AND DATA LINKED		
160-038	HEAVY DUTY ONBOARD DIAGNOSTICS INTERFACE CONNECTOR LOCATED BELOW LH DASH		
844-001	2 INCH ELECTRIC FUEL GAUGE		
148-003	PROGRAMMABLE RPM CONTROL - ELECTRONIC ENGINE		
856-001	ELECTRICAL ENGINE COOLANT TEMPERATURE GAUGE		
864-001	2 INCH TRANSMISSION OIL TEMPERATURE GAUGE		
830-017	ENGINE AND TRIP HOUR METERS INTEGRAL WITHIN DRIVER DISPLAY		
372-051	CUSTOMER FURNISHED AND INSTALLED PTO CONTROLS		
49B-004	ELECTRONIC STABILITY CONTROL		
852-002	ELECTRIC ENGINE OIL PRESSURE GAUGE		
679-001	OVERHEAD INSTRUMENT PANEL		
746-135	AM/FM/WB WORLD TUNER RADIO WITH SIRIUSXM, BLUETOOTH, IPOD INTERFACE, USB AND AUXILIARY INPUTS, J1939	10	
747-001	DASH MOUNTED RADIO		
750-002	(2) RADIO SPEAKERS IN CAB		
753-008	AM/FM ANTENNA MOUNTED ON LH SIDE MIRROR		
78C-003	INTEROPERABLE SDAR ANTENNA		
810-027	ELECTRONIC MPH SPEEDOMETER WITH SECONDARY KPH SCALE, WITHOUT ODOMETER		
817-001	STANDARD VEHICLE SPEED SENSOR		
812-001	ELECTRONIC 3000 RPM TACHOMETER		
6TS-003	(2) TMC RP 1226 ACCESSORY CONNECTORS: (1) LOCATED BEHIND DASH B PANEL AND (1) LOCATED PASSENGER SIDE OF DASH		
162-002	IGNITION SWITCH CONTROLLED ENGINE STOP		
264-032	(2) OVERHEAD MOUNTED LANYARD CONTROLS: (1) OFFICER AIR HORN AND (1) DRIVER AIR HORN		
836-015	DIGITAL VOLTAGE DISPLAY INTEGRAL WITH DRIVER DISPLAY		
660-008	SINGLE ELECTRIC WINDSHIELD WIPER MOTOR WITH DELAY		
304-001	MARKER LIGHT SWITCH INTEGRAL WITH HEADLIGHT SWITCH		



Prepared for:
 Lloyd Radmall
 STOCK TOLLESON AZ DKXD
 9899 W ROOSEVELT ST
 TOLLESON, AZ 85353
 Phone: 623-907-6619

Prepared by:
 Lloyd Radmall
 FREIGHTLINER OF ARIZONA
 9899 W ROOSEVELT STREET
 TOLLESON, AZ 85353
 Phone: 623-907-6619

Data Code	Description	Weight Front	Weight Rear
27D-004	ALTERNATING FLASHING HEADLAMP SYSTEM WITH BODY BUILDER CONTROLLED ENGAGEMENT		
882-018	ONE VALVE PARKING BRAKE SYSTEM WITH DASH VALVE CONTROL AUTONEUTRAL AND WARNING INDICATOR		
299-013	SELF CANCELING TURN SIGNAL SWITCH WITH DIMMER, WASHER/WIPER AND HAZARD IN HANDLE		
298-039	INTEGRAL ELECTRONIC TURN SIGNAL FLASHER WITH HAZARD LAMPS OVERRIDING STOP LAMPS		

Design

065-000	PAINT: ONE SOLID COLOR
---------	------------------------

Color

980-6D7	CAB COLOR A: L4664EY RED PIERCE #90 ELITE EY
986-4D7	CHASSIS PAINT: N4664EA RED PIERCE #90 ELITE SS
963-003	STANDARD E COAT/UNDERCOATING

Certification / Compliance

996-001	U.S. FMVSS CERTIFICATION, EXCEPT SALES CABS AND GLIDER KITS
---------	---

Secondary Factory Options

998-032	CORPORATE PDI CENTER OPTION INSTALLATION/MODIFICATION ONLY
---------	--

Raw Performance Data

AE8-99D	CALCULATED EFFECTIVE BACK OF CAB TO REAR SUSPENSION C/L (CA) : 136.17 in
---------	--

TOTAL VEHICLE SUMMARY

Weight Summary

	Weight Front	Weight Rear	Total Weight
Factory Weight ⁺	8000 lbs	4662 lbs	12662 lbs
Total Weight⁺	8000 lbs	4662 lbs	12662 lbs



Prepared for:
Lloyd Radmall
STOCK TOLLESON AZ DKXD
9899 W ROOSEVELT ST
TOLLESON, AZ 85353
Phone: 623-907-6619

Prepared by:
Lloyd Radmall
FREIGHTLINER OF ARIZONA
9899 W ROOSEVELT STREET
TOLLESON, AZ 85353
Phone: 623-907-6619

(+) Weights shown are estimates only.
If weight is critical, contact Customer Application Engineering.

(***) All cost increases for major components (Engines, Transmissions, Axles, Front and Rear Tires) and government mandated requirements, tariffs, and raw material surcharges will be passed through and added to factory invoices.



Prepared for:
 Lloyd Radmall
 STOCK TOLLESON AZ DKXD
 9899 W ROOSEVELT ST
 TOLLESON, AZ 85353
 Phone: 623-907-6619

Prepared by:
 Lloyd Radmall
 FREIGHTLINER OF ARIZONA
 9899 W ROOSEVELT STREET
 TOLLESON, AZ 85353
 Phone: 623-907-6619

Q U O T A T I O N

M2 106 CONVENTIONAL CHASSIS

SET BACK AXLE - TRUCK	DETROIT DA-F-12.0-3 12,000# FF1 71.5 KPI/3.74 DROP SINGLE FRONT AXLE
CUM L9 360EV HP @ 2200 RPM, 2200 GOV RPM, 1150 LB-FT @ 1200 RPM, R/F/E	12,000# DUAL TAPERLEAF FRONT SUSPENSION
ALLISON 3000 EVS AUTOMATIC TRANSMISSION WITH PTO PROVISION	154 INCH BBC HIGH-ROOF ALUMINUM CONVENTIONAL CREW CAB
RS-23-161 24,000# R-SERIES QUIET RIDE FIRE/EMERGENCY SERVICE SINGLE REAR AXLE	6400MM (252 INCH) WHEELBASE
AIRLINER 23,000# REAR SUSPENSION WITH CHAIN CLEARANCE	11/32X3-1/2X10-15/16 INCH STEEL FRAME (8.73MMX277.8MM/0.344X10.94 INCH) 120KSI
	2550MM (100 INCH) REAR FRAME OVERHANG

		PER UNIT	TOTAL
VEHICLE PRICE	TOTAL # OF UNITS (1)	\$	\$
EXTENDED WARRANTY		\$ 0	\$ 0
DEALER INSTALLED OPTIONS		\$ 0	\$ 0
CUSTOMER PRICE BEFORE TAX		\$	\$

TAXES AND FEES

TAXES AND FEES	\$	0	\$	0
OTHER CHARGES	\$	0	\$	0

TRADE-IN

TRADE-IN ALLOWANCE	\$	(0)	\$	(0)
--------------------	----	-----	----	-----

BALANCE DUE	(LOCAL CURRENCY)	\$	\$
--------------------	-------------------------	-----------	-----------

COMMENTS:

Projected delivery on ___ / ___ / ___ provided the order is received before ___ / ___ / ___.

APPROVAL:

Please indicate your acceptance of this quotation by signing below:

Customer: X _____ Date: ___ / ___ / ___.

Daimler Truck Financial

Financing that works for you.

See your local dealer for a competitive quote from Daimler Truck Financial, or contact us at Information@dtfoffers.com.

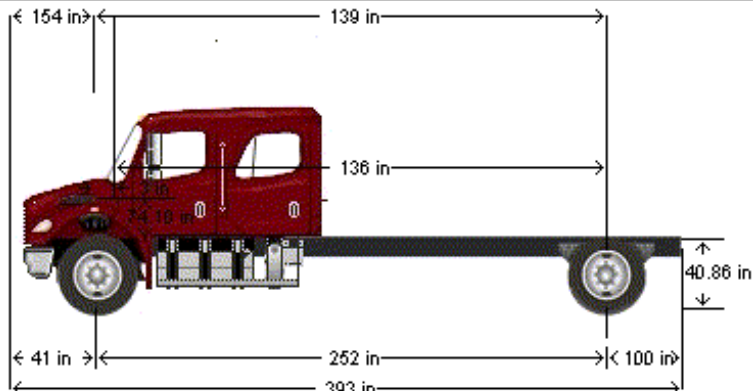
Daimler Truck Financial offers a variety of finance, lease and insurance solutions to fit your business needs. For more information about our products and services, visit our website at www.daimler-truckfinancial.com.



Prepared for:
 Lloyd Radmall
 STOCK TOLLESON AZ DKXD
 9899 W ROOSEVELT ST
 TOLLESON, AZ 85353
 Phone: 623-907-6619

Prepared by:
 Lloyd Radmall
 FREIGHTLINER OF ARIZONA
 9899 W ROOSEVELT STREET
 TOLLESON, AZ 85353
 Phone: 623-907-6619

D I M E N S I O N S



VEHICLE SPECIFICATIONS SUMMARY - DIMENSIONS

Model	M2106
Wheelbase (545)	6400MM (252 INCH) WHEELBASE
Rear Frame Overhang (552).....	2550MM (100 INCH) REAR FRAME OVERHANG
Fifth Wheel (578)	NO FIFTH WHEEL
Mounting Location (577)	NO FIFTH WHEEL LOCATION
Maximum Forward Position (in).....	0
Maximum Rearward Position (in)	0
Amount of Slide Travel (in)	0
Slide Increment (in)	0
Desired Slide Position (in)	0.0
Cab Size (829).....	154 INCH BBC HIGH-ROOF ALUMINUM CONVENTIONAL CREW CAB
Sleeper (682).....	NO SLEEPER BOX/SLEEPERCAB
Exhaust System (016).....	RH OUTBOARD UNDER STEP MOUNTED HORIZONTAL AFTERTREATMENT SYSTEM ASSEMBLY WITH RH HORIZONTAL TAILPIPE EXITING FORWARD OF REAR TIRES

TABLE SUMMARY - DIMENSIONS



Prepared for:
 Lloyd Radmall
 STOCK TOLLESON AZ DKXD
 9899 W ROOSEVELT ST
 TOLLESON, AZ 85353
 Phone: 623-907-6619

Prepared by:
 Lloyd Radmall
 FREIGHTLINER OF ARIZONA
 9899 W ROOSEVELT STREET
 TOLLESON, AZ 85353
 Phone: 623-907-6619

Dimensions	Inches
Bumper to Back of Cab (BBC)	153.5
Bumper to Centerline of Front Axle (BA)	40.7
Front Axle to Back of Cab (AC)	112.8
Min. Cab to Body Clearance (CB)	3.0
Back of Cab to Centerline of Rear Axle(s) (CA)	139.2
Effective Back of Cab to Centerline of Rear Axle(s) (Effective CA)	130.2
Back of Cab Protrusions (Exhaust/Intake) (CP)	2.0
Back of Cab Protrusions (Side Extenders/Trim Tab) (CP)	0.0
Back of Cab Protrusions (CNG Tank)	0.0
Back of Cab Clearance (CL)	3.0
Back of Cab to End of Frame	239.5
Cab Height (CH)	74.1
Wheelbase (WB)	252.0
Frame Overhang (OH)	100.4
Overall Frame Length	381.8
Overall Length (OAL)	393.1
Rear Axle Spacing	0.0
Unladen Frame Height at Centerline of Rear Axle	40.9

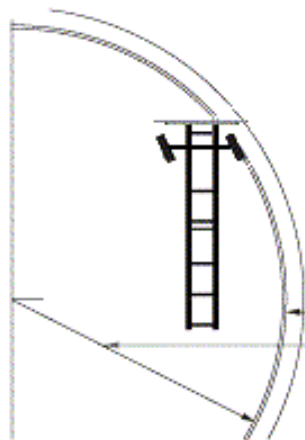
Performance calculations are estimates only. If performance calculations are critical, please contact Customer Application Engineering.



Prepared for:
 Lloyd Radmall
 STOCK TOLLESON AZ DKXD
 9899 W ROOSEVELT ST
 TOLLESON, AZ 85353
 Phone: 623-907-6619

Prepared by:
 Lloyd Radmall
 FREIGHTLINER OF ARIZONA
 9899 W ROOSEVELT STREET
 TOLLESON, AZ 85353
 Phone: 623-907-6619

TURNING RADIUS



Turning radius graphic and data provided strictly for comparisons between model configurations. Weather, road surfaces, and tire treads affect the results. It is strongly suggested that actual vehicles be measured before constructing any roads/driveways using this information. For specific figures regarding your configuration, please contact your CAE representative.

	Dimensions	Tolerance
Wall to Wall Diameter (ft)	64.3	+/- 3.0
Curb to Curb Diameter (ft)	62.5	+/- 3.0
Turning Radius (ft)	30.8	+/- 1.5

VEHICLE SPECIFICATIONS SUMMARY - TURNING RADIUS

ModelM2106
 Cab Size (829).....154 INCH BBC HIGH-ROOF ALUMINUM CONVENTIONAL CREW CAB
 Wheelbase (545)6400MM (252 INCH) WHEELBASE
 Front Tires (093)..... MICHELIN XZE2 275/80R22.5 14 PLY RADIAL FRONT TIRES
 Width (in)11.1
 Front Axle (400).....DETROIT DA-F-12.0-3 12,000# FF1 71.5 KPI/3.74 DROP SINGLE FRONT AXLE
 Kingpin Intersection (in)71.5
 Bumper (556)..... THREE-PIECE 14 INCH CHROMED STEEL BUMPER WITH COLLAPSIBLE ENDS
 Width (in)93.5
 Bumper Miter to Front Axle (in)21.458
 Primary Steering Location (003)..... LH PRIMARY STEERING LOCATION
 Steering Gear (536) TRW THP-60 POWER STEERING
 Dual Steering Gear NONE
 Ram NONE
 Rear Axle (420)RS-23-161 24,000# R-SERIES QUIET RIDE FIRE/EMERGENCY SERVICE SINGLE REAR AXLE
 Axle Spacing (624) NO AXLE SPACING

Performance calculations are estimates only. If performance calculations are critical, please contact Customer Application Engineering.



Prepared for:
Lloyd Radmall
STOCK TOLLESON AZ DKXD
9899 W ROOSEVELT ST
TOLLESON, AZ 85353
Phone: 623-907-6619

Prepared by:
Lloyd Radmall
FREIGHTLINER OF ARIZONA
9899 W ROOSEVELT STREET
TOLLESON, AZ 85353
Phone: 623-907-6619

