

**CITY OF RIVERSIDE FIRE DEPT.**  
**RIVERSIDE, CA**  
*QUOTE 129223*  
**AERIAL BODY**  
**E-ONE CYCLONE CHASSIS**  
**HR100 AERIAL LADDER**

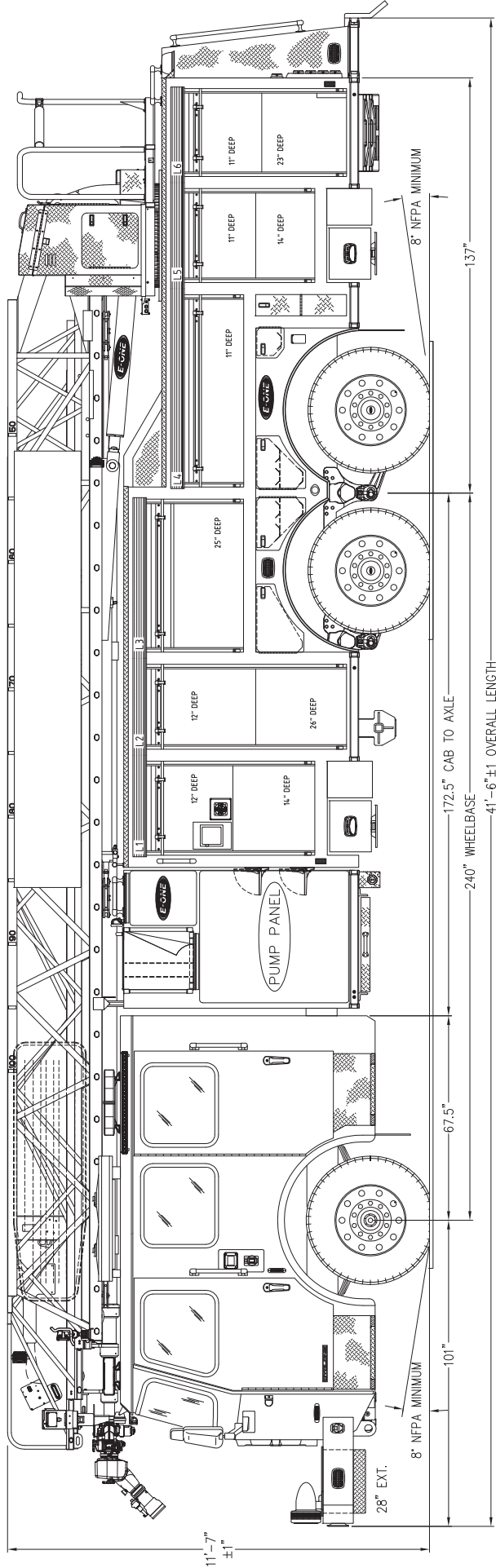
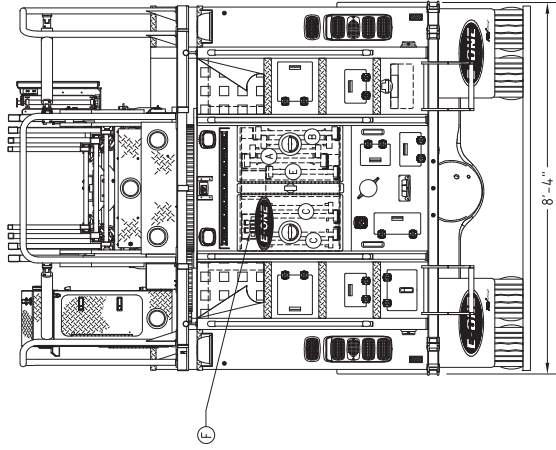
THIS DRAWING IS FOR REFERENCE PURPOSES. ALL DIMENSIONS ARE SUBJECT TO MINOR VARIATIONS DUE TO MANUFACTURING PROCESSES.

This print is the property of E-ONE, Inc., and is loaned to you subject to the understanding that it is not to be reproduced, copied or submitted to third parties for use or examination.

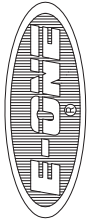
HOSE LOAD:	
600' OF 4.00" DJ	
1500 GPW HALE QMAX PUMP	
485 GALLON WATER TANK	
15 GALLON INTEGRAL CLASS "A" FOAM TANK	

COMPT.	OPENING	INTERIOR DIMENSION
L1/R1	29W	31W 23H 12D UPPER
L2	26W	31W 27H 14D LOWER
R2	26W	28W 30H 26D LOWER
L3/R3	48W	28W 23H 12D UPPER
L4/R4	61W	46W 37H 12D UPPER
L5/R5	29W	50W 23H 14D LOWER
L6/R6	27W	31W 18H 11D UPPER
		30W 19H 14D LOWER
		23W 28H 23D LOWER

ITEM	LADDER LENGTH	MODEL NUMBER	QTY
A	35' 2-SECT.	PEL-35	1
B	28' 2-SECT.	PEL-28	1
C	20' 2-SECT.	PEL-20	2
D	16' ROOF	PRL-16	1
E	14' ROOF	PRL-14	1
F	10' FOLDING	FL-10	1



DATE	BY	APP'D	SCALE
12/15/10	REV	PROFESSOR	AS SHOWN

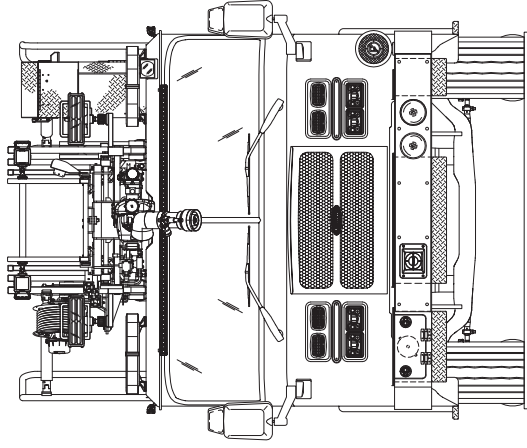


# CITY OF RIVERSIDE FIRE DEPT.

## RIVERSIDE, CA

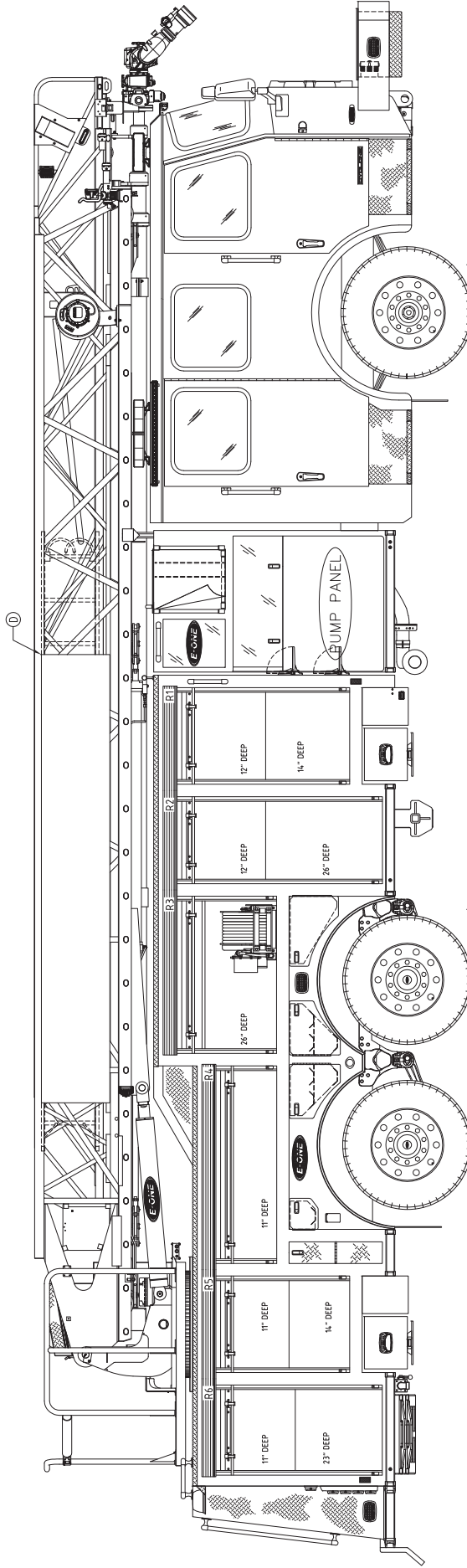
QUOTE 129223

AERIAL BODY  
E-ONE CYCLONE CHASSIS  
HR100 AERIAL LADDER



THIS DRAWING IS FOR REFERENCE PURPOSES. ALL DIMENSIONS ARE SUBJECT TO MINOR VARIATIONS DUE TO MANUFACTURING PROCESSES.

This print is the property of E-ONE, Inc., and is loaned to you subject to the condition that you will not make copies, nor allow E-ONE, Inc. or its contents or confidential information to be copied or submitted to third parties for use or examination.



DATE	BY	REVISION
08/14/12	REV	PROFESSOR REVISIONS
08/14/12	REV	SHEET 2 OF 2