

**CITY OF RIVERSIDE FIRE DEPT.**  
**RIVERSIDE, CA**  
*QUOTE 129223*  
**AERIAL BODY**  
**E-ONE CYCLONE CHASSIS**  
**HR100 AERIAL LADDER**

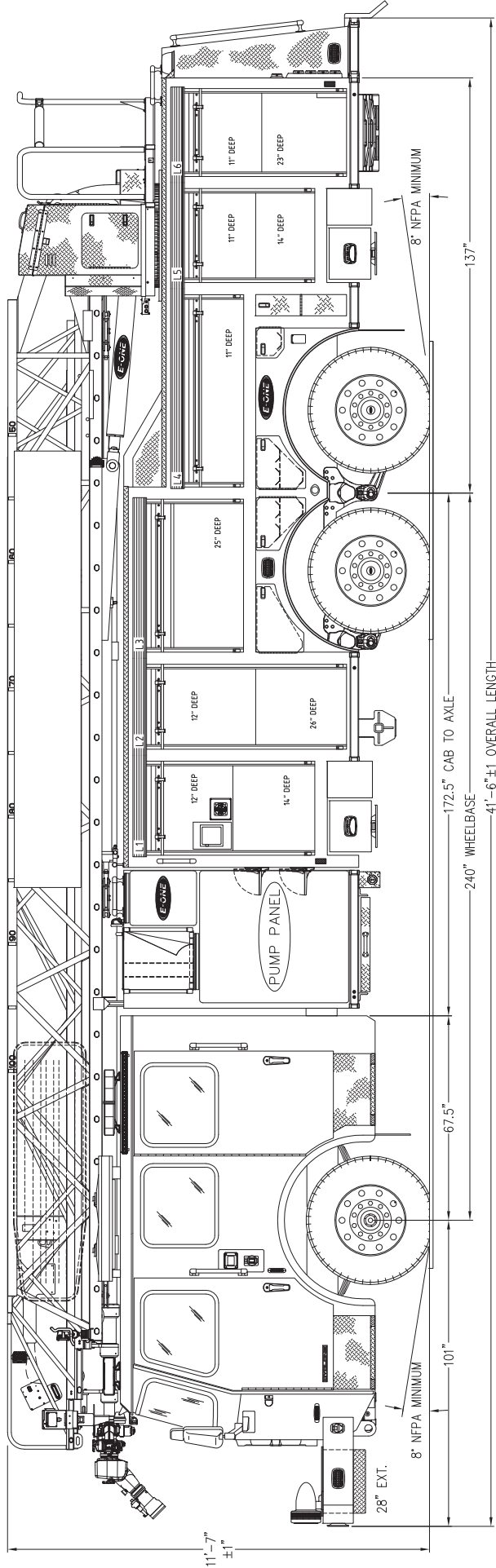
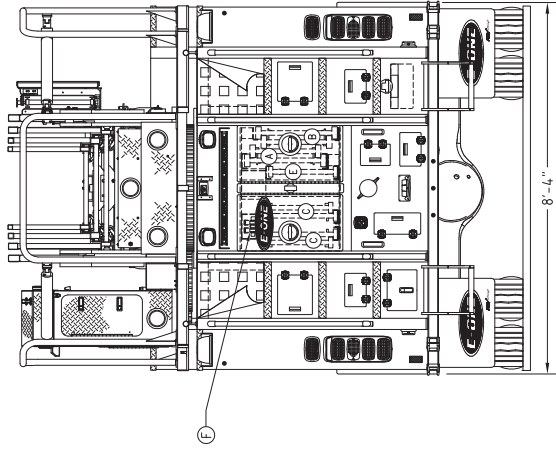
THIS DRAWING IS FOR REFERENCE PURPOSES. ALL DIMENSIONS ARE SUBJECT TO MINOR VARIATIONS DUE TO MANUFACTURING PROCESSES.

This print is the property of E-ONE, Inc., and is loaned to you subject to the condition that it is not to be reproduced, copied, or submitted to third parties for use or examination.

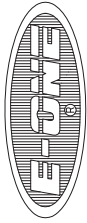
HOSE LOAD:	
600' OF 4.00" DJ	
1500 GPW HALE QMAX PUMP	
485 GALLON WATER TANK	
15 GALLON INTEGRAL CLASS "A" FOAM TANK	

COMPT.	OPENING	INTERIOR DIMENSION
L1/R1	29W	31W 23H 12D UPPER
L2	26W	31W 27H 14D LOWER
R2	26W	28W 30H 26D LOWER
L3/R3	48W	28W 23H 12D UPPER
L4/R4	61W	46W 37H 12D UPPER
L5/R5	29W	50W 23H 14D LOWER
L6/R6	27W	31W 18H 11D UPPER
		30W 19H 14D LOWER
		23W 28H 23D LOWER

ITEM	LADDER LENGTH	MODEL NUMBER	QTY
A	35' 2-SECT.	PEL-35	1
B	28' 2-SECT.	PEL-28	1
C	20' 2-SECT.	PEL-20	2
D	16' ROOF	PRL-16	1
E	14' ROOF	PRL-14	1
F	10' FOLDING	FL-10	1



DATE	BY	APP'D	SCALE
12/15/10	REV	PROFESSOR	AS SHOWN



# CITY OF RIVERSIDE FIRE DEPT.

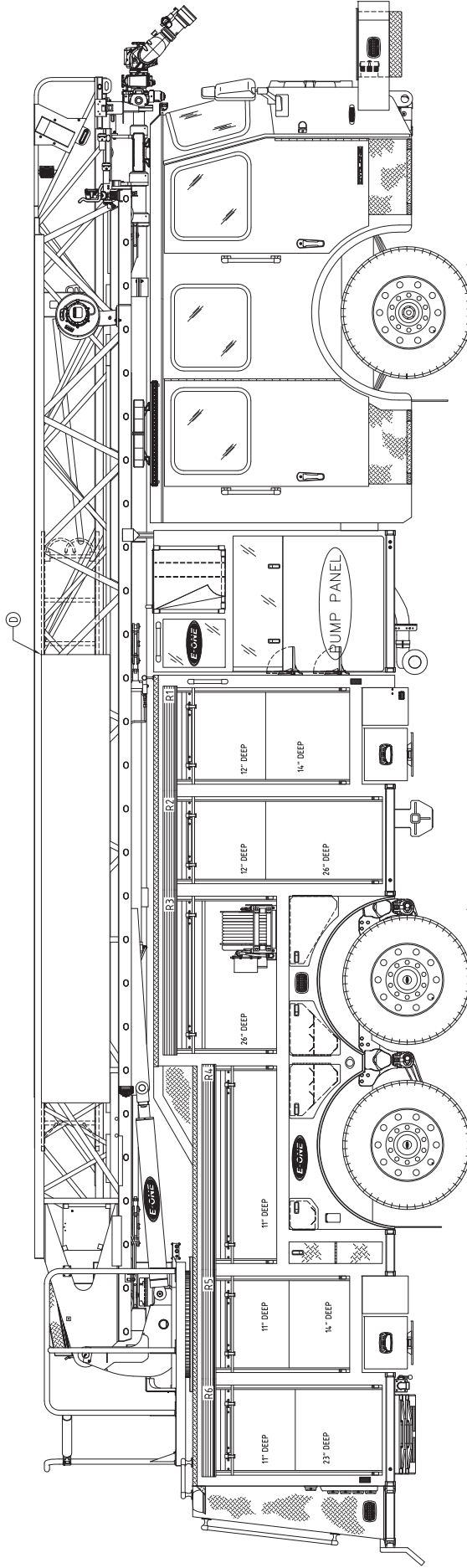
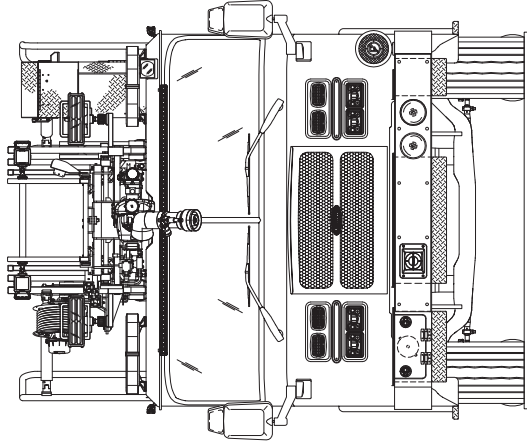
## RIVERSIDE, CA

QUOTE 129223

AERIAL BODY  
E-ONE CYCLONE CHASSIS  
HR100 AERIAL LADDER

THIS DRAWING IS FOR REFERENCE PURPOSES. ALL DIMENSIONS ARE SUBJECT TO MINOR VARIATIONS DUE TO MANUFACTURING PROCESSES.

This print is the property of E-ONE, Inc., and is loaned to you subject to the condition that you will not make copies, reproduce, or disseminate its contents or confidential information. It is not to be copied or submitted to third parties for use or examination.



DATE	BY	REVISION
08/14/12	WJ	1
08/14/12	WJ	2
08/14/12	WJ	3
08/14/12	WJ	4
08/14/12	WJ	5
08/14/12	WJ	6
08/14/12	WJ	7
08/14/12	WJ	8
08/14/12	WJ	9
08/14/12	WJ	10
08/14/12	WJ	11
08/14/12	WJ	12
08/14/12	WJ	13
08/14/12	WJ	14
08/14/12	WJ	15
08/14/12	WJ	16
08/14/12	WJ	17
08/14/12	WJ	18
08/14/12	WJ	19
08/14/12	WJ	20
08/14/12	WJ	21
08/14/12	WJ	22
08/14/12	WJ	23
08/14/12	WJ	24
08/14/12	WJ	25
08/14/12	WJ	26
08/14/12	WJ	27
08/14/12	WJ	28
08/14/12	WJ	29
08/14/12	WJ	30
08/14/12	WJ	31
08/14/12	WJ	32
08/14/12	WJ	33
08/14/12	WJ	34
08/14/12	WJ	35
08/14/12	WJ	36
08/14/12	WJ	37
08/14/12	WJ	38
08/14/12	WJ	39
08/14/12	WJ	40
08/14/12	WJ	41
08/14/12	WJ	42
08/14/12	WJ	43
08/14/12	WJ	44
08/14/12	WJ	45
08/14/12	WJ	46
08/14/12	WJ	47
08/14/12	WJ	48
08/14/12	WJ	49
08/14/12	WJ	50
08/14/12	WJ	51
08/14/12	WJ	52
08/14/12	WJ	53
08/14/12	WJ	54
08/14/12	WJ	55
08/14/12	WJ	56
08/14/12	WJ	57
08/14/12	WJ	58
08/14/12	WJ	59
08/14/12	WJ	60
08/14/12	WJ	61
08/14/12	WJ	62
08/14/12	WJ	63
08/14/12	WJ	64
08/14/12	WJ	65
08/14/12	WJ	66
08/14/12	WJ	67
08/14/12	WJ	68
08/14/12	WJ	69
08/14/12	WJ	70
08/14/12	WJ	71
08/14/12	WJ	72
08/14/12	WJ	73
08/14/12	WJ	74
08/14/12	WJ	75
08/14/12	WJ	76
08/14/12	WJ	77
08/14/12	WJ	78
08/14/12	WJ	79
08/14/12	WJ	80
08/14/12	WJ	81
08/14/12	WJ	82
08/14/12	WJ	83
08/14/12	WJ	84
08/14/12	WJ	85
08/14/12	WJ	86
08/14/12	WJ	87
08/14/12	WJ	88
08/14/12	WJ	89
08/14/12	WJ	90
08/14/12	WJ	91
08/14/12	WJ	92
08/14/12	WJ	93
08/14/12	WJ	94
08/14/12	WJ	95
08/14/12	WJ	96
08/14/12	WJ	97
08/14/12	WJ	98
08/14/12	WJ	99
08/14/12	WJ	100